



**ANALOG  
PRODUCTS**

**MC33889  
FACT SHEET**

**APPLICATIONS**

- Aircraft Systems
- Automotive Systems
- Robotic Systems
- Farm Equipment
- Industrial Controls
- Marine Applications

**33889 SYSTEM BASIS CHIP (SBC) WITH LOW-SPEED FAULT TOLERANT CAN**

An SBC device is a monolithic IC combining many functions repeatedly found in standard microcontroller-based systems, e.g., protection, diagnostics, communication, power, etc.

The 33889 is an SBC having a fully protected fixed 5.0 V low drop-out regulator with current limit, over-temperature pre-warning, and reset.

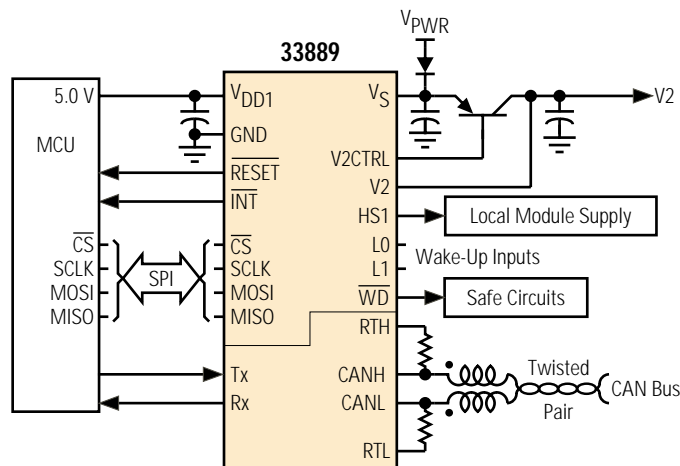
An output drive with sense input is also provided to implement a second 5.0 V regulator, using an external PNP that is external resistor ratio adjustable to meet peripheral needs.

The 33889 has Normal, Standby, Stop, and Sleep modes; an internally switched high-side power supply output with two wake-up inputs; programmable window Watch-dog; Interrupt; Reset; SPI input control, and low-speed fault tolerant CAN transceiver compatible with CAN 2.0 A and B protocols for module-to-module communication.

The combination is an economical solution for power management, high-speed communication, and control in MCU-based systems.

POWER MANAGEMENT  
LINEAR REGULATOR

**Simplified Application Diagram**



#### FEATURES

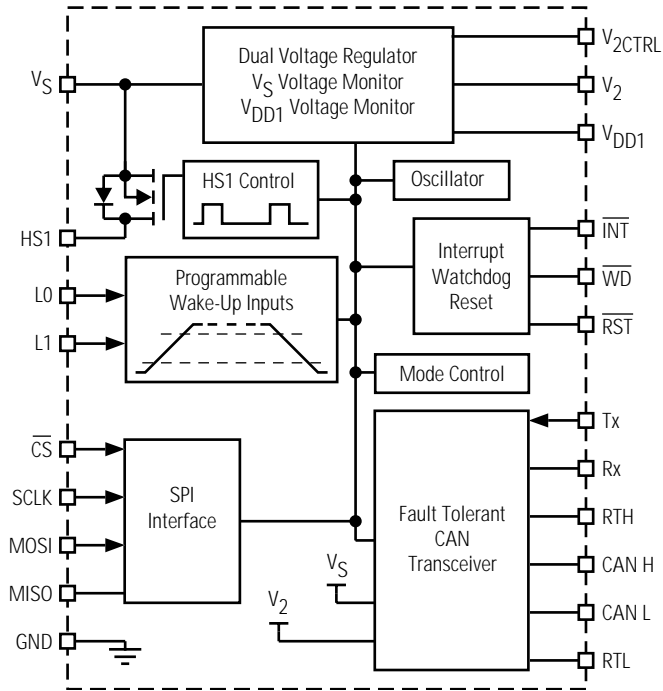
- Low drop-out voltage regulator with current limiting, over temperature pre-warning, and output monitoring with reset
- Adjustable external series pass PNP regulator
- Normal, Standby, Stop and Sleep modes separate from CAN interface modes
- Low-speed 125 kB/s fault tolerant CAN interface, compatible with 33388 stand-alone physical interface
- 150 mA switched  $V_{PWR}$  output for control of external circuitry
- Two external wake-up inputs, associated with switched  $V_{PWR}$
- Low standby and sleep current
- $V_{PWR}$  monitoring and  $V_{PWR}$  failure detection
- 40 V maximum transient voltage
- Software-programmable watchdog window, interrupt, and reset
- Multiple wake-up modes
- SPI interface to MCU
- Additional devices available for comparison in Analog Selector Guide SG1002/D

#### CUSTOMER BENEFITS

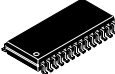
- Provides complete MCU power management solution with few components
- CAN and SPI interface
- Internal wake-up and watchdog function
- Motorola offers a complete line of compatible system basis chips with transceivers
- Simple system design with direct interfacing to a microprocessor
- Reduced PC board space resulting in enhanced application reliability
- Economical solution with an optimized performance/cost ratio
- Simplified MCU power supply design with internal safety features and output voltage supervisory circuits

Performance	Typical Values
Operating Voltage	5.5 – 27 V
Data Rate	125 kB/s
Internal 5.0 V Reg	200 mA
External 5.0 V Series Reg	User Defined
Sleep/Stop Current	60/120 $\mu$ A
Operating Temp	$-40^{\circ}\text{C} \leq T_A \leq 125^{\circ}\text{C}$

33889 Internal Block Diagram

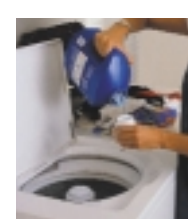
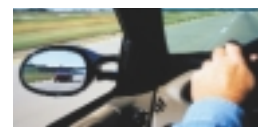


Protection	Detect	Limiting	Shut Down	Auto Retry	Status Reporting
$V_{DD1}$ :					
Under Voltage	•				
Over Current/SC	•	•			
Over Temperature	•		•	•	•
$V_2$ :					
Under Voltage	•				•
HS1:					
Over Current	•	•			
Over Temperature	•		•	•	•
CAN Bus Failure:					
H-wire disconnect	•			•	•
L-wire disconnect	•			•	•
H short-to-battery	•	•		•	•
L short-to-battery	•	•		•	•
H short-to-ground	•	•		•	•
L short-to-ground	•	•		•	•
H-to-L short	•	•		•	•
H short-to- $V_{DD}$	•			•	•
Over Temperature	•		•	•	
Supply Line:					
Under Voltage	•				•
Disconnect	•				•

Ordering Information	Package	Ship Method	Motorola Part Number
	28 SOICW	Rail T/R	**33889DW **33889DWR2
Data Sheet Order Number			MC33889/D
Contact Sales for Evaluation Kit Availability			
**Prefix Index: PC = Eng Samples; XC = In Qual; MC = Production			

#### QUESTIONS

- What voltage (5.0 V or 3.3 V) does your microcontroller need?
- What type of CAN (high/low speed) do you need?
- Do you need several power supplies?
- Do you need a fully protected low drop-out series pass regulator?
- How many wake-up inputs do you need?
- Do you need a watchdog with independent reset/interrupt capability?
- Are you looking for a complete, easy-to-design power supply solution for your embedded system?
- Do you need an advanced microcontroller power supply with power sequencing and supervisory functions?



#### How to reach us:

**USA/EUROPE/Locations Not Listed:** Motorola Literature Distribution;  
P.O. Box 5405, Denver, Colorado 80217  
1-303-675-2140 or 1-800-441-2447

**JAPAN:** Motorola Japan Ltd.; SPS, Technical Information Center,  
3-20-1, Minami-Azabu, Minato-ku, Tokyo 106-8573 Japan  
81-3-3440-3569

**ASIA/PACIFIC:** Motorola Semiconductors H.K. Ltd.; Silicon Harbour Centre,  
2 Dai King Street, Tai Po Industrial Estate, Tai Po, N.T., Hong Kong  
852-26668334

**Technical Information Center:** 1-800-521-6274

**HOME PAGE:** <http://www.motorola.com/semiconductors>



MOTOROLA and the Stylized M Logo are registered in the U.S. Patent & Trademark Office.  
All other product or service names are the property of their respective owners.  
© Motorola, Inc. 2002

MC33889FS/D  
Rev. 1

**SUNSTAR 商斯达实业集团**是集研发、生产、工程、销售、代理经销、技术咨询、信息服务等为一体的高科技企业，是专业高科技电子产品生产厂家，是具有 10 多年历史的专业电子元器件供应商，是中国最早和最大的仓储式连锁规模经营大型综合电子零部件代理分销商之一，是一家专业代理和分销世界各大品牌 IC 芯片和电子元器件的连锁经营综合性国际公司，专业经营进口、国产名厂名牌电子元件，型号、种类齐全。在香港、北京、深圳、上海、西安、成都等全国主要电子市场设有直属分公司和产品展示展销窗口门市部专卖店及代理分销商，已在全国范围内建成强大统一的供货和代理分销网络。我们专业代理经销、开发生产电子元器件、集成电路、传感器、微波光电元器件、工控机/DOC/DOM 电子盘、专用电路、单片机开发、MCU/DSP/ARM/FPGA 软件硬件、二极管、三极管、模块等，是您可靠的一站式现货配套供应商、方案提供商、部件功能模块开发配套商。商斯达实业公司拥有庞大的资料库，有数位毕业于著名高校——有中国电子工业摇篮之称的西安电子科技大学（西军电）并长期从事国防尖端科技研究的高级工程师为您精挑细选、量身订做各种高科技电子元器件，并解决各种技术问题。

更多产品请看本公司产品专用销售网站：

商斯达中国传感器科技信息网：<http://www.sensor-ic.com/>

商斯达工控安防网：<http://www.pc-ps.net/>

商斯达电子元器件网：<http://www.sunstare.com/>

商斯达微波光电产品网：[HTTP://www.rfoe.net/](http://www.rfoe.net/)

商斯达消费电子产品网：<http://www.icasic.com/>

商斯达实业科技产品网：<http://www.sunstars.cn/>

传感器销售热线：

地址：深圳市福田区福华路福庆街鸿图大厦 1602 室

电话：0755-83370250 83376489 83376549 83607652 83370251 82500323

传真：0755-83376182 (0) 13902971329 MSN: [SUNS8888@hotmail.com](mailto:SUNS8888@hotmail.com)

邮编：518033 E-mail:[szss20@163.com](mailto:szss20@163.com) QQ: 195847376

深圳赛格展销部：深圳华强北路赛格电子市场 2583 号 电话：0755-83665529 25059422

技术支持：0755-83394033 13501568376

欢迎索取免费详细资料、设计指南和光盘；产品凡多，未能尽录，欢迎来电查询。

北京分公司：北京海淀区知春路 132 号中发电子大厦 3097 号

TEL: 010-81159046 82615020 13501189838 FAX: 010-62543996

上海分公司：上海市北京东路 668 号上海赛格电子市场 2B35 号

TEL: 021-28311762 56703037 13701955389 FAX: 021-56703037

西安分公司：西安高新开发区 20 所(中国电子科技集团导航技术研究所)

西安劳动南路 88 号电子商城二楼 D23 号

TEL: 029-81022619 13072977981 FAX:029-88789382

**SUNSTAR 商斯达实业集团**是集研发、生产、工程、销售、代理经销、技术咨询、信息服务等为一体的高科技企业，是专业高科技电子产品生产厂家，是具有 10 多年历史的专业电子元器件供应商，是中国最早和最大的仓储式连锁规模经营大型综合电子零部件代理分销商之一，是一家专业代理和分销世界各大品牌 IC 芯片和电子元器件的连锁经营综合性国际公司，专业经营进口、国产名厂名牌电子元件，型号、种类齐全。在香港、北京、深圳、上海、西安、成都等全国主要电子市场设有直属分公司和产品展示展销窗口门市部专卖店及代理分销商，已在全国范围内建成强大统一的供货和代理分销网络。我们专业代理经销、开发生产电子元器件、集成电路、传感器、微波光电元器件、工控机/DOC/DOM 电子盘、专用电路、单片机开发、MCU/DSP/ARM/FPGA 软件硬件、二极管、三极管、模块等，是您可靠的一站式现货配套供应商、方案提供商、部件功能模块开发配套商。商斯达实业公司拥有庞大的资料库，有数位毕业于著名高校——有中国电子工业摇篮之称的西安电子科技大学（西军电）并长期从事国防尖端科技研究的高级工程师为您精挑细选、量身订做各种高科技电子元器件，并解决各种技术问题。

更多产品请看本公司产品专用销售网站：

商斯达中国传感器科技信息网：<http://www.sensor-ic.com/>

商斯达工控安防网：<http://www.pc-ps.net/>

商斯达电子元器件网：<http://www.sunstare.com/>

商斯达微波光电产品网：[HTTP://www.rfoe.net/](http://www.rfoe.net/)

商斯达消费电子产品网：<http://www.icasic.com/>

商斯达实业科技产品网：<http://www.sunstars.cn/>

传感器销售热线：

地址：深圳市福田区福华路福庆街鸿图大厦 1602 室

电话：0755-83370250 83376489 83376549 83607652 83370251 82500323

传真：0755-83376182 (0) 13902971329 MSN: [SUNS8888@hotmail.com](mailto:SUNS8888@hotmail.com)

邮编：518033 E-mail:[szss20@163.com](mailto:szss20@163.com) QQ: 195847376

深圳赛格展销部：深圳华强北路赛格电子市场 2583 号 电话：0755-83665529 25059422

技术支持：0755-83394033 13501568376

欢迎索取免费详细资料、设计指南和光盘；产品凡多，未能尽录，欢迎来电查询。

北京分公司：北京海淀区知春路 132 号中发电子大厦 3097 号

TEL: 010-81159046 82615020 13501189838 FAX: 010-62543996

上海分公司：上海市北京东路 668 号上海赛格电子市场 2B35 号

TEL: 021-28311762 56703037 13701955389 FAX: 021-56703037

西安分公司：西安高新开发区 20 所(中国电子科技集团导航技术研究所)

西安劳动南路 88 号电子商城二楼 D23 号

TEL: 029-81022619 13072977981 FAX:029-88789382